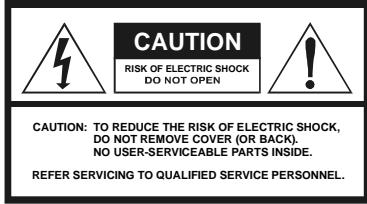


DCT2000

User Guide



MOTOROLA
intelligence everywhere™



Graphical symbols and supplemental warning marking locations on bottom of terminal.

WARNING

TO PREVENT FIRE OR SHOCK HAZARD, DO NOT EXPOSE THIS APPLIANCE TO RAIN OR MOISTURE.

CAUTION

TO PREVENT ELECTRICAL SHOCK, DO NOT USE THIS (POLARIZED) PLUG WITH AN EXTENSION CORD, RECEPTACLE, OR OTHER OUTLET UNLESS THE BLADES CAN BE FULLY INSERTED TO PREVENT BLADE EXPOSURE.



The lightning flash with arrowhead symbol, within an equilateral triangle, is intended to alert the user to the presence of “uninsulated “dangerous voltage” within the product’s enclosure that may be of sufficient magnitude to constitute a risk of electric shock to persons.



The exclamation point, within an equilateral triangle, is intended to alert the user to the presence of important operating and maintenance (servicing) instructions in the literature accompanying the appliance.

This installation should be made by a qualified service person and should conform to all local codes.

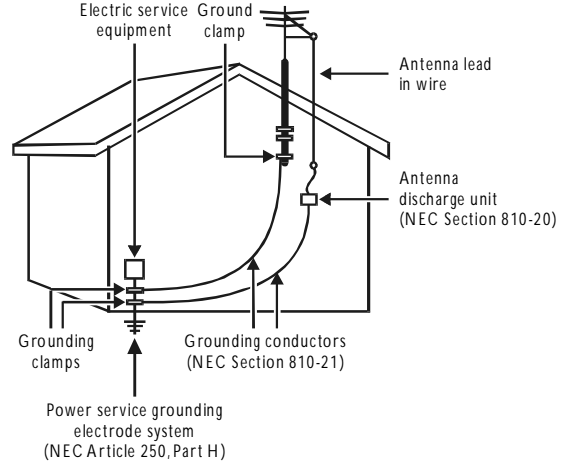
REPAIRS

If you find the unit in need of repair, contact your cable system operator for repair or replacement.

NOTE TO CATV SYSTEM INSTALLER

This reminder is provided to call the CATV system installer’s attention to Article 820-40 of the NEC that provides guidelines for proper grounding and, in particular, specifies that the cable ground shall be connected to the grounding system of the building, as close as possible to the point of cable entry as practical.

EXAMPLE OF ANTENNA GROUNDING



NEC=NATIONAL ELECTRICAL CODE

Important Safeguards

1 Read instructions

All the safety and operating instructions should be read before the appliance is operated.

2 Retain instructions

The safety and operating instructions should be retained for future reference.

3 Heed warnings

All warnings on the appliance and in the operating instructions should be adhered to.

4 Follow instructions

All operating and use instructions should be followed.

5 Cleaning

Unplug this product from the wall outlet before cleaning. Do not use liquid cleaners or aerosol cleaners. Use a damp cloth for cleaning.

6 Attachments

Do not use attachments not recommended as they may cause hazard.

7 Water and moisture

Do not use this equipment near water; for example, near a bath tub, wash bowl, kitchen sink, or laundry tub, in a wet basement, or near a swimming pool, and the like.

8 Accessories

Do not place this product on an unstable cart, stand, tripod, bracket, or table. The product may fall causing serious injury and serious damage to the appliance. Use only with a cart, stand, tripod, bracket, or table recommended by the manufacturer, or sold with the equipment. Any mounting of the appliance should follow the manufacturer's instructions, and should use a mounting accessory recommended by the manufacturer.

9 Ventilation

Slots and openings in the cabinet are provided for ventilation and to ensure reliable operation of the equipment and to protect it from overheating. The openings should never be blocked by placing the product on a bed, sofa, rug, or similar surface. Equipment should never be placed near or over a radiator or heat register, or in a built-in installation such as a bookcase or rack unless proper ventilation is provided.

10 Power sources

This product should be operated only from the type of power sources indicated on the marking label. If you are not sure of the type of power supplied to your home, consult your local power company. For equipment intended to operate from battery power, or other sources, refer to the operating instructions.

11 Ground or polarization

This equipment may be equipped with a polarized alternating-current line plug (a plug having one blade wider than the other). This plug will fit into the power outlet only one way. This is a safety feature. If you are unable to insert the plug fully into the outlet, try reversing the plug. If the plug should still fail to fit, contact your electrician to replace your obsolete outlet. Do not defeat the safety purpose of the polarized plug.

12 Alternate warnings

This equipment may be equipped with a 3-wire grounding-type plug, a plug having a third (grounding) pin. This pin will only fit into a grounding-type power outlet. This is a safety feature. If you are unable to insert the plug into the outlet, contact your electrician to replace your obsolete outlet. Do not defeat the safety purpose of the grounding-type plug.

13 Power cord protection

Power supply cords should be routed so that they are not likely to be walked on or pinched by items placed upon or against them, paying particular attention to cords at plugs, convenience receptacles, and the point where they exit from the appliance.

14 Outdoor Antenna Grounding

If an outside antenna or cable system is connected to the equipment, be sure the antenna or cable system is grounded as to provide some protection against voltage surges and built-up static charges.

15 Lightning

For added protection for this equipment during a lightning storm, or when it is left unattended and unused for long periods of time, unplug it from the wall outlet and disconnect the antenna or cable system. This will prevent damage to the video product due to lightning and power line surges.

16 Power lines

An outside antenna system should not be located in the vicinity of overhead power lines or where it can fall into such power lines or circuits. When installing an outside antenna system, extreme care should be taken to keep from touching such power lines or circuits, as contact with them may be fatal.

17 Overloading

Do not overload wall outlets and extension cords as this can result in a risk of fire or electrical shock.

18 Object and liquid entry

Never push objects of any kind into this equipment through openings as they may touch dangerous voltage points or short-out parts that could result in a fire or electrical shock. Never spill liquid of any kind on the product.

19 Servicing

Do not attempt to service this equipment yourself as opening or removing covers may expose you to dangerous voltage or other hazards, refer all servicing to qualified service personnel.

20 Damage requiring service

Unplug this equipment from the wall outlet and refer servicing to qualified service personnel under the following conditions:

- a When the power supply cord or plug is damaged.
- b If the equipment has been exposed to rain or water.
- c If liquid has been spilled, or objects have fallen into the equipment.
- d If the equipment does not operate normally by following the operating instructions. Adjust only those controls that are covered by the operating instructions as an improper adjustment of other controls may result in damage and will often require extensive work by a qualified technician to restore the equipment to its normal operation.
- e If the equipment has been dropped or cabinet has been damaged.
- f When the equipment exhibits a distinct change in performance, indicating a need for service.

21 Replacement parts

When replacement parts are required, be sure the service technician has used replacement parts specified by the manufacturer or have the same characteristics as the original part. Unauthorized substitutions may result in fire, electric shock, or other hazards.

22 Safety check

Upon completion of any service or repairs to this video product, ask the service technician to perform safety checks to determine that the product is in proper operational condition.

23 Telephone equipment

Observe the following precautions when installing telephone modem equipment:

- a Never install telephone wiring during a lightning storm.
- b Never install telephone jacks in a wet location unless the jack is specifically designed for wet locations.
- c Never touch uninsulated telephone wires or terminals unless the telephone lines have been disconnected at the network interface.
- d Use caution when installing or modifying telephone lines.

24 Battery usage

Notwithstanding any information provided by Motorola in this manual regarding the use of batteries, the end user assumes all responsibility and liability to use and dispose of batteries in accordance with all applicable laws, rules and regulations. Motorola will not be liable to anyone for the end user's failure to use and/or dispose of batteries in the proper manner and in accordance with such laws, rules and regulations, or for any defect contained in batteries that may cause injury damage to persons or property.

Regulatory Information

Federal Communications Commission Radio and Television Interface Statement for a Class 'B' Device

This equipment has been tested and found to comply with the limits for a Class B digital device, pursuant to part 15 of the FCC Rules. These limits are designed to provide reasonable protection against harmful interference in the residential installation. This equipment generates, uses and can radiate radio frequency energy and, if not installed and used in accordance with the instructions, may cause harmful interference to radio communications. However, there is no guarantee that interference will not occur in a particular installation.

If the equipment does cause harmful interference to radio or television reception, which can be determined by turning the equipment off and on, the user is encouraged to try to correct the interference by one of the following measures:

- Increase the separation between the equipment and the affected receiver
- Connect the equipment on a circuit different from the one the receiver is on
- Ensure that the cover plate for the security card is secured and tight

You may find the following booklet, prepared by the Federal Communication Commission, helpful: *How to Identify and Resolve Radio-TV Interference Problems*, Stock No. 004-000-0342-4, U.S. Government Printing Office, Washington, DC 20402.

Changes or modification not expressly approved by the party responsible for compliance could void the user's authority to operate the equipment.

Declaration of Conformity

According to 47 CFR, Parts 2 and 15 for Class B Personal Computers and Peripherals; and/or CPU Boards and Power Supplies used with Class B Personal Computers, Motorola, Inc., 6450 Sequence Drive, San Diego, CA 92121, 1-800-225-9446, declares under sole responsibility that the product identifies with 47 CFR Part 2 and 15 of the FCC Rules as a Class B digital device. Each product marketed is identical to the representative unit tested and founded to be compliant with the standards. Records maintained continue to reflect the equipment being produced can be expected to be within the variation accepted, due to quantity production and testing on a statistical basis as required by 47 CFR 2.909. Operation is subject to the following condition: This device must accept any interference received, including interference that may cause undesired operation. The above named party is responsible for ensuring that the equipment complies with the standards of 47 CFR, Paragraphs 15.107 to 15.109.

Canadian Compliance

This Class B digital apparatus meets all requirements of the Canadian Interference-Causing Equipment Regulations. Cet appareil numérique de la classe B respecte toutes les exigences du Règlement sur le matériel brouilleur du Canada.



NOTE

This product was FCC certified under test conditions that included the use of the supplied cable between system components. To be in compliance with FCC regulation, the user must use this cable and install it properly.

FCC Part 68 Statement

This equipment complies with part 68 of the FCC rules. On the rear panel of this equipment is a label that contains, among other information, the FCC registration number and ringer equivalence number (REN) for the equipment. If requested, this information must be provided to the telephone company.

The REN is used to determine the quantity of devices that may be connected to the telephone line. Excessive RENs on the telephone line may result in the devices not ringing in response to an incoming call. In most, but not all areas, the sum of the RENs should not exceed five (5.0). To be certain of the number of devices that may be connected to the line, as determined by the total RENs, contact the telephone company to determine the maximum REN for the calling area.

This equipment uses the following USOC jack: RJC. An FCC-compliant telephone cord and modular plug is provided with this equipment. This equipment is designed to be connected to the telephone network or premises wiring using a compatible modular jack that is Part 68 compliant. This equipment cannot be used on telephone company-provided coin services. Connection to Party Line Service is subject to state tariffs.

If this equipment causes harm to the telephone network, the telephone company will notify you in advance that the temporary discontinuance of services may be required. If advance notice isn't practical, the telephone company will notify the customer as soon as possible. Also, you will be advised of your right to file a complaint with the FCC if you believe it is necessary.

The telephone company may make changes in its facilities, equipment, operations, or procedures that could affect the operation of the equipment. If this happens, the telephone company will provide advance notice in order to maintain uninterrupted service.

If the trouble is causing harm to the telephone system, the telephone company may request that you remove the equipment from the network until the problem is resolved.

It is recommended that the customer install an AC surge arrester in the AC outlet to which this device is connected. This is to avoid damaging the equipment by local lightning strikes and other electrical surges.

Industry Canada CS-03 Statement

The Industry Canada label identifies certified equipment. This certification means that the equipment meets certain telecommunications network protective, operational and safety requirements as prescribed in the appropriate Terminal Equipment Technical Requirements document(s). The department does not guarantee that the equipment will operate to the user's satisfaction.

Before installing this equipment, users should ensure that it is permissible to be connected to the facilities of the local telecommunications company. The equipment must also be installed using an acceptable method of connection. The customer should be aware that compliance with the above conditions might not prevent degradation of service in some situations. Only a representative designated by the supplier should coordinate repairs to certified equipment. Repairs or alterations made by the user to this equipment, or equipment malfunctions may give the telecommunication company cause to request the user to disconnect the equipment.

Users should ensure for their own protection that the electrical ground connections of the power utility, telephone lines and internal metallic water pipe system, if present, are connected together. This precaution may be particularly important in rural areas. Users should not attempt to make such connections themselves, but should contact the appropriate electric inspection authority, or electrician, as appropriate.

The Ringer Equivalence Number (REN) of this device is displayed on the product. The REN assigned to each terminal device provides an indication of the maximum number of terminals allowed to be connected to a telephone interface. The termination on an interface may consist of any combination of devices subject only to the requirement that the sum of the Ringer Equivalence Numbers of all devices does not exceed 5. The telephone connection arrangement is a CA11A.

Copyright © 2001 by Motorola, Inc. All rights reserved. No part of the contents of this book may be reproduced or transmitted in any form or by any means without written permission of the publisher.

MOTOROLA and the Stylized M Logo are registered in the US Patent & Trademark Office. All other product or service names are the property of their respective owners. Dolby Digital and Dolby Surround are registered trademarks of Dolby Laboratories, Inc.

Motorola reserves the right to revise this publication and to make changes in content from time to time without obligation on the part of Motorola to provide notification of such revision or change. Motorola provides this guide without warranty of any kind, either implied or expressed, including, but not limited to, the implied warranties of merchantability and fitness for a particular purpose. Motorola may make improvements or changes in the product(s) described in this manual at any time.

CONTENTS

Introduction	2	Connecting your DCT2000	19
Front Panel.....	3	Standard TV Cabling	19
Rear Panel	6	Standard VCR Cabling.....	20
Rear Panel Options.....	9	Cabling with RF Bypass	21
Recording Your Connections	10	Composite Baseband	22
Using the Remote Control	11	Composite VCR Cabling.....	23
Installing Batteries	15	Stereo Cabling Diagram (VCR to Stereo).....	24
Basic Operation.....	16	Stereo Cabling Diagram (TV to Stereo).....	25
Turning Power On and Off	16	Baseband with Dolby Digital.....	26
Changing Channels.....	16	Troubleshooting.....	28
Adjusting the Volume.....	16		
Electronic Program Guide	17		
Audio/Video Connections	18		

INTRODUCTION

Your DCT2000 includes one or more of the following features:

- Remote control
- Volume control
- Parental control
- Favorite channel recall
- Easy Pay-Per-View purchases
- Electronic program guide (EPG)
- Video on Demand

Congratulations on receiving your state-of-the-art DCT2000 digital consumer terminal. The DCT2000 brings unsurpassed digital audio and video quality to your TV viewing. Electronic program guide menus provide convenient control of selecting and viewing programs. It's simple to set up and easy to operate.

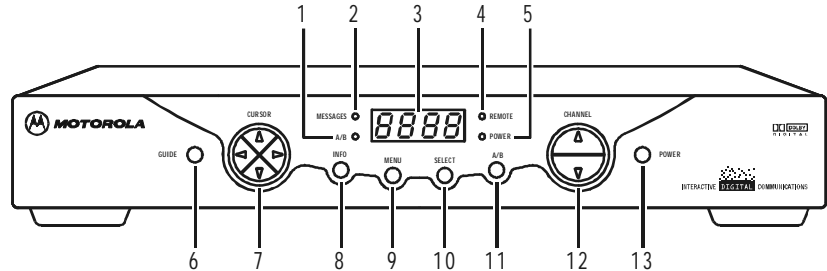
You can purchase Pay-Per-View special events, recent movies or Video on Demand. Video on Demand is similar to renting a video, including the ability to pause, rewind, and fast-forward.

This guide introduces you to the features and operation of the DCT2000. Access to the DCT2000 features is gained through the electronic program guide.









Be sure to read your electronic program guide instruction manual to get the most out of your DCT2000.

Front Panel






The DCT2000 front panel has 12 keys and an LED display. Use the keys to perform basic functions such as changing channels and powering on and off. Display the current channel or time of day on the LED by changing the default settings in the electronic program guide.



INTRODUCTION

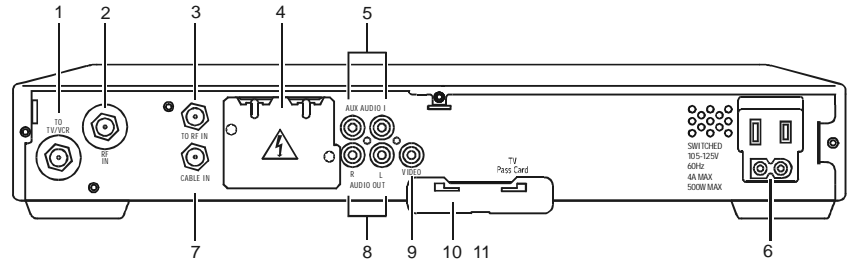
Item	Description
1 <small>A/B</small> 	Lights if optional switch is activated (see Rear Panel Options)
2 <small>MESSAGES</small> 	Lights to indicate that a message is present
3 	Displays current channel number or time of day
4 <small>REMOTE</small> 	Flashes when an error-free signal is received from the remote control
5 <small>POWER</small> 	Lights when the unit is turned on
6 <small>GUIDE</small> 	Displays the electronic program guide
7 <small>CURSOR</small> 	Moves the cursor in menus and electronic program guide screens
8 <small>INFO</small> 	Displays current channel and program information

INTRODUCTION

Item	Description
9 <small>MENU</small> 	Displays the Main menu
10 <small>SELECT</small> 	Selects menu options, Pay-Per-View (PPV) events, and tunes channels from the electronic program guide
11 <small>A/B</small> 	Manually enables optional modules (a cable-ready TV is required for this function)
12 <small>CHANNEL</small> 	Changes the channel up and down
13 <small>POWER</small> 	Turns the DCT2000 on and off

Rear Panel

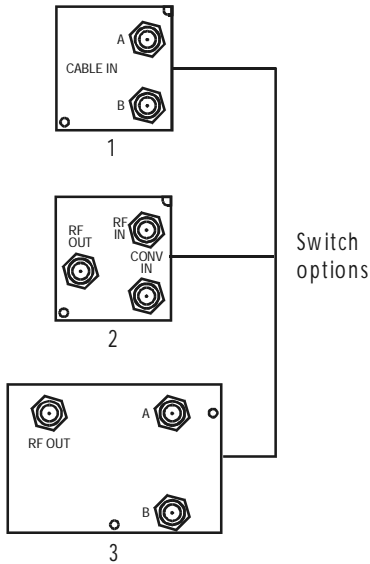
Before you begin installing the DCT2000 take a moment to become familiar with the rear panel connections. The rear panel connectors are for system cabling, and an AC power cord connects the DCT2000 to an electrical power outlet. For cabling diagrams, see "Connecting Your DCT2000".



INTRODUCTION

	Item	Description
1	TO TV/VCR	A coaxial output to connect the DCT2000 to the TV or VCR.
2	RF IN	A coaxial input that is connected to the TO RF IN, see Connecting the DCT2000.
3	TO RF IN	A coaxial input that directs the cable signal to other connections on the DCT2000.
4	Removable plate	This plate covers the location for an optional telephone module. Available if your service provider offers telephone communication.
5	AUX AUDIO IN	RCA audio inputs providing loop-through audio from auxiliary audio equipment.
6	AC Power	This is a two-plug AC power outlet. The bottom plug is for attaching a power cord. The top plug can be configured for plugging in another device such as a TV or VCR.
7	CABLE IN	A coaxial input for the incoming signal from the wall outlet.
8	AUDIO OUT	Left/right audio outputs to connect the DCT2000 to a TV, VCR, or A/V receiver.
9	VIDEO	Composite video output to connect the DCT2000 to a TV, VCR, or A/V receiver.
10	TV Pass Card slot	This space is reserved for future use.

INTRODUCTION

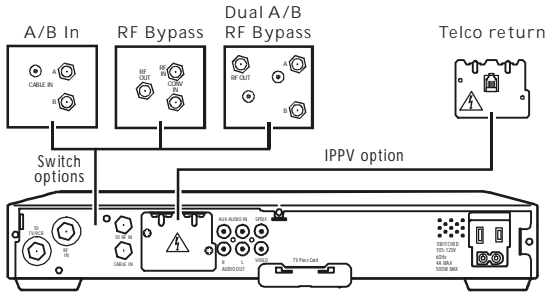


Rear Panel Options

There are four rear panel options that can be included on your DCT2000.

	Item	Description
1	A/B Switch	This contains coaxial input connectors used in a dual cable system and with an A/B box.
2	RF Bypass	These coaxial connectors enable the cable signal to bypass the DCT2000 and go directly to a cable-ready TV or VCR.
3	DUAL A/B-RF BYPASS	These coaxial connectors are used in a dual cable system. The cable signal from A or B goes directly to a cable-ready TV or VCR.

RECORDING YOUR CONNECTIONS

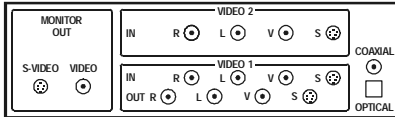


DCT2000

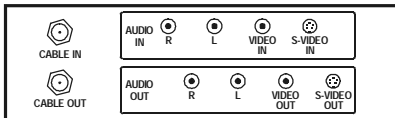
Use this diagram to record cable connections from the rear panel. Later you can use this diagram to reconnect your system if you move the equipment, or add new equipment.

Disconnect the power from the DCT2000 before connecting or changing cable connections. Do not place another component or object on top of the DCT2000.

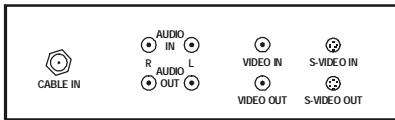
A/V Receiver



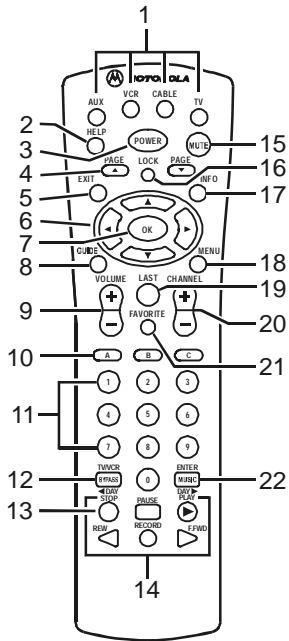
VCR



TV




USING THE REMOTE CONTROL



Use the remote control to operate the DCT2000, TV, and VCR. Many of the keys on the remote control share the same function as keys on the front panel.

Your remote control may be different from the one illustrated here. The remote control must be programmed for use. If your service provider has not programmed your remote control, refer to the remote control instruction guide supplied by your service provider.

USING THE REMOTE CONTROL

Key	Item	Description
1	AUX, VCR, CABLE, or TV	Selects the desired device to control (the selected mode remains active until you press another key)
2	HELP	Displays the help screen
3	POWER	Turns the selected home entertainment component on or off
4	PAGE ▲ or PAGE ▼	Pages through menu screens and electronic program guide
5	EXIT	Exits menus and electronic program guide
6		Moves cursor around the electronic program guide and menu screens
7	OK/SELECT	Selects menu options and Pay-Per-View events, or tunes programs from the electronic program guide (your remote control may only have OK; it performs the same functions)
8	GUIDE	Displays the electronic program guide

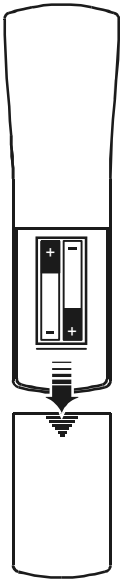
USING THE REMOTE CONTROL

Key	Item	Description
9	VOLUME + or VOLUME -	Increases or decreases volume of the currently selected device
10	A, B , or C	Functionality is determined by your service provider
11	NUMBER KEYS	Directly selects a channel
12	TV/VCR BYPASS	Enables RF bypass function (a cable-ready TV is required for this function)
13	◀ DAY DAY ▶	Use when operating the electronic program guide (moves electronic program guide ahead or back 24 hours)
14	STOP, PAUSE, PLAY, REW, RECORD, F.FWD	Controls the VCR
15	MUTE	Toggles the sound on and off

USING THE REMOTE CONTROL

Key	Item	Description
16	LOCK/PPV	Limits viewing of selected programs, and accesses the Pay-Per-View menu (your remote control may only have LOCK; this key performs the same functions)
17	INFO	Displays the current channel and program information (not supported by all applications)
18	MENU	Displays the Main menu
19	LAST	Recalls the last channel or goes back one screen in the menu
20	CHANNEL + or CHANNEL -	Changes the channels up or down
21	FAVORITE	Displays preset favorite cable channels
22	ENTER/MUSIC	Displays digital music channel menus (on some TV models, press to enter channels)

USING THE REMOTE CONTROL



Installing Batteries

Before you can use the remote control, you must install two AA (1.5-volt) alkaline batteries:

- 1 Slide open the battery door on the back of the remote control.
- 2 Insert the batteries in the direction indicated on the inside of the battery compartment.

Batteries installed incorrectly can cause battery leakage and corrosion that will damage the remote control.

- 3 Slide the battery door closed until it snaps into place.

Point the remote control at the DCT2000, and then press POWER. If the DCT2000 does not turn on, check the orientation of the batteries or replace with new batteries.

Your remote control may be different from the one illustrated here. Refer to the remote control instruction guide for details on battery installation.

Turning Power On and Off

Press POWER on the front panel to turn the DCT2000 on or off. If using the remote control, be sure it is in cable mode by pressing CABLE, and then press POWER.

Changing Channels

You can change channels in two ways:

- Press CHANNEL ▲ or ▼ on the front panel of the DCT2000, or press CHANNEL + or – on the remote control to step through the channel selection.
- Enter the number of the channel you want to tune using the numeric keys on the remote control.

Adjusting the Volume

Press VOLUME + or – on the remote control to adjust the volume. When you adjust the volume, the volume scale is displayed on the screen. Press MUTE on the remote control to turn the sound off and on again.

For best audio quality, use the remote control to set the DCT2000 to approximately $\frac{3}{4}$ of the maximum volume level and then adjust the audio levels on the external devices.

Electronic Program Guide

The electronic program guide displays information about TV programs and enables you to access features such as Parental Control or Pay-Per-View. Electronic program guides can vary in look and feel with each service provider. Reference the electronic program guide instruction manual for detailed instructions.

AUDIO/VIDEO CONNECTIONS



NOTE

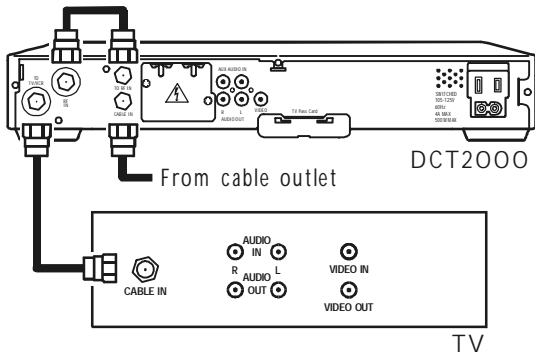
It is important to remember not to place anything on top of the DCT2000 and to provide for adequate ventilation to prevent overheating.

Before you begin to hookup your DCT2000, review the following:

- For basic cable connections, use 75-ohm coaxial cables equipped with F-type connectors. You can find coaxial cables in your local electronics store.
- For audio or video outputs, use cables equipped with RCA-type connectors.
- For the optical digital output, use an optical (TOSLINK) audio cable.
- Disconnect power from the DCT2000 before connecting or changing cable connections.
- **Do not** place anything on top of the DCT2000, especially other home video components.

It is recommended that you use RCA cable specifically designed for digital audio transmission when using the COAX digital audio output.

CONNECTING YOUR DCT2000



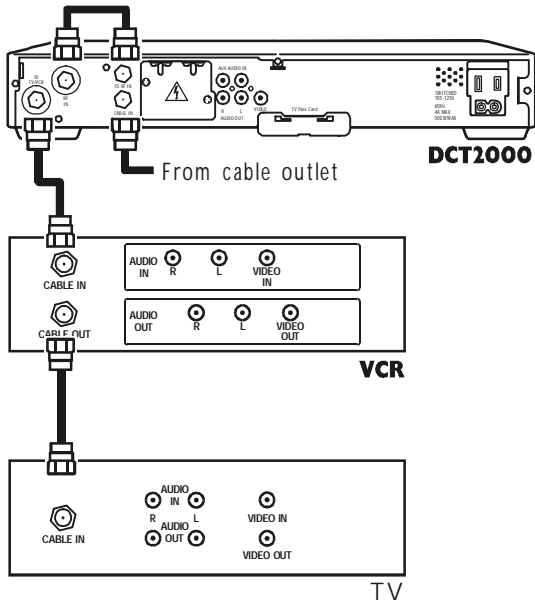
Standard TV Cabling

Use 75-ohm coaxial cables to connect your DCT2000 to a TV. This is the most common cable connection, and it provides all of the basic features of the DCT2000.

If you are using a diagram that connects the coaxial TO TV/VCR connector on the DCT2000 to the coaxial CABLE IN connector on the TV, you must tune your TV to channel 3 or 4.

The illustrated connections will not provide stereo on digital channels. Connect the DCT2000 using RCA baseband connectors to receive stereo on digital channels (illustrated later in this section).

CONNECTING YOUR DCT2000

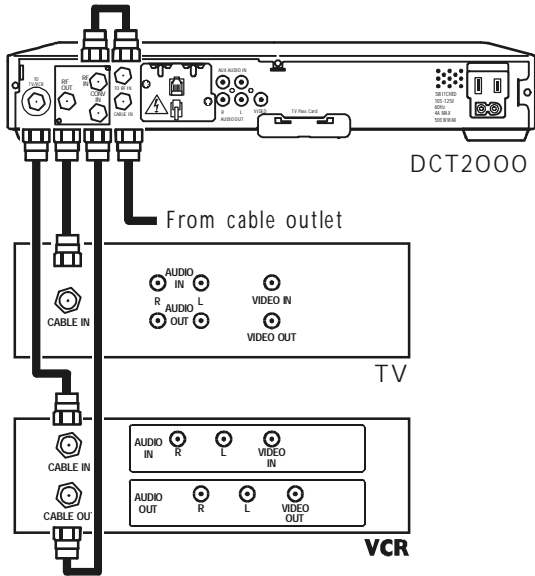


Standard VCR Cabling

To connect your VCR, you will need 75-ohm coaxial cables. The illustrated VCR connection enables you to record the program you are watching, including Pay-Per-View events. You can also view videotapes just as you do now.

The illustrated connections will not provide stereo on digital channels. Connect the DCT2000 using RCA baseband connectors to receive stereo on digital channels (illustrated later in this section).

CONNECTING YOUR DCT2000

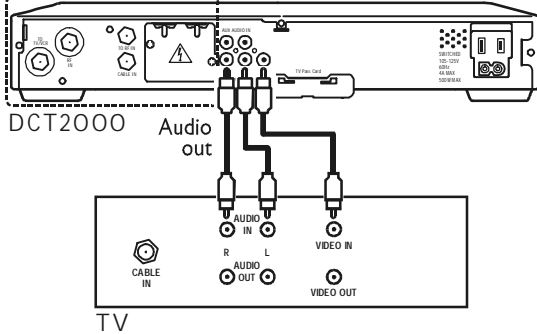


Cabling with RF Bypass

This cabling diagram illustrates the RF Bypass module installed on the DCT2000. The RF Bypass enables you to view an unscrambled analog channel on a TV while recording another channel through the DCT2000.

CONNECTING YOUR DCT2000

See appropriate cable diagram



In these illustrations the baseband connectors on entertainment components are labeled R for right audio, L for left audio and V or VIDEO.

Composite Baseband

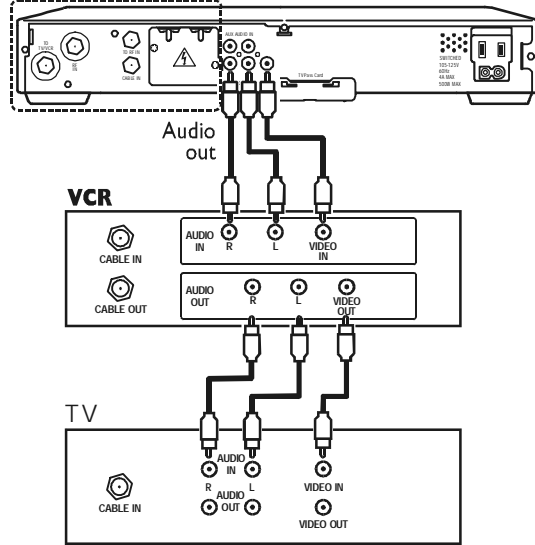
Connecting the DCT2000 using the baseband RCA type outputs enables you to experience stereo and Dolby Surround® sound on digital channels when available.

When connecting the video path, connect the baseband composite video to the input device you plan to use.

CONNECTING YOUR DCT2000

DCT2000

See appropriate cable diagram



Composite VCR Cabling

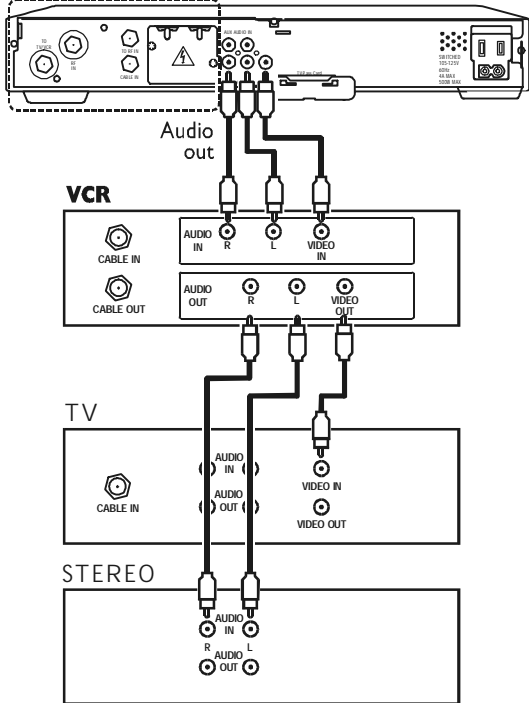
This diagram illustrates how to connect the DCT2000 to a VCR using the audio connectors on the VCR.

When connecting the video path, connect the baseband composite video you plan to use.

CONNECTING YOUR DCT2000

DCT 2000

See appropriate cable diagram



Stereo Cabling Diagram (VCR to Stereo)

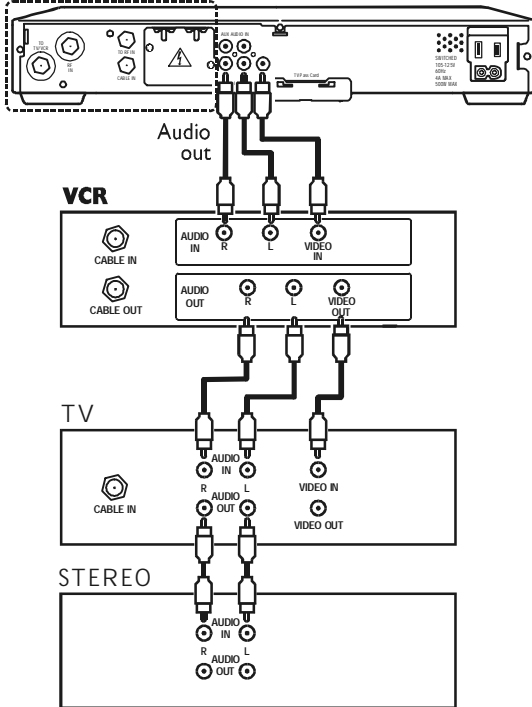
This diagram illustrates how to connect the DCT2000 to a stereo using the audio connectors on the VCR. The VCR sound is played through the stereo. This configuration does not provide for TV sound to play through the stereo.

When connecting the video path, connect the baseband composite video to the input device you plan to use.

CONNECTING YOUR DCT2000

DCT2000

See appropriate cable diagram

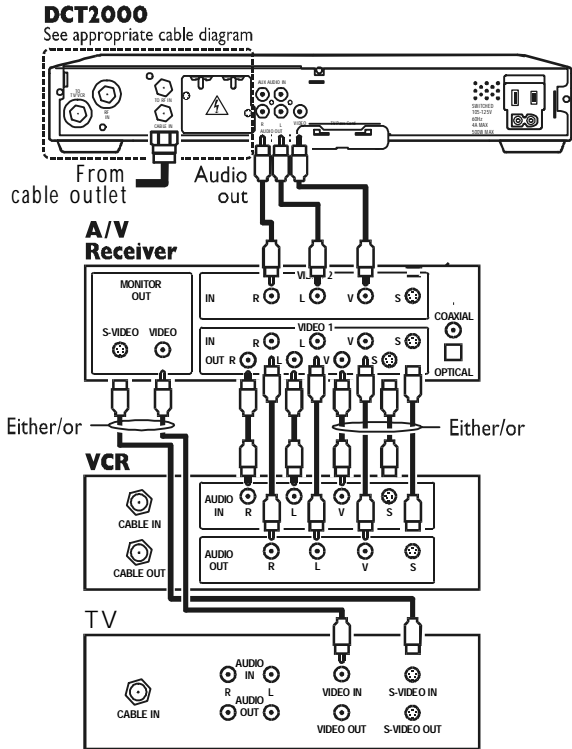


Stereo Cabling Diagram (TV to Stereo)

This configuration provides for the TV sound to play through the stereo.

When connecting the video path, connect the baseband composite video to the input device you plan to use.

CONNECTING YOUR DCT2000



Baseband with Dolby Digital

This diagram illustrates audio and video connections to a Dolby Digital receiver. This configuration enables you to record on the VCR and playback with sound through the Dolby Digital receiver.

TROUBLESHOOTING

Before calling your service provider, review the troubleshooting guide. This information is to help you quickly solve a problem. If your problem still exists, contact your service provider.

Problem	Possible Solution
No sound	Press MUTE on the remote control to restore the volume level. Check that the stereo is looking at the proper input source. Turn your VCR on.
No picture	Check to be sure that all cables are connected properly (hand-tighten if necessary). If connected through the baseband RCA video connection, make sure the cables are connected properly. If you are watching TV using your VCR, be sure your VCR is on.
Picture or sound is noisy on one channel	Reconnect the cable and hand-tighten if loose.
Sound from only one stereo speaker	Hand-tighten or reconnect the cables properly. Be sure wires are not frayed and plugs are not bent or broken.

TROUBLESHOOTING

Problem	Possible Solution
No power	Reconnect the power cord. Be sure the DCT2000 is plugged into an outlet that is always live.
Remote control does not work	Press CABLE on the remote control to ensure the remote control is in cable mode. Change the batteries in your remote control according to the instructions in the section, "Installing Batteries." Be sure that nothing is on the DCT2000 or blocking a clear line of sight between it and the remote control.
Poor audio quality	For best audio quality, use the remote control to set the DCT2000 to approximately 75% of maximum volume level and then adjust the audio levels on the external devices.



MOTOROLA

Motorola, Inc.

12/01
